

HEAT EXCHANGER				
ITEM	MODEL	PART NO.	QTY	DESCRIPTION
1	INN1350	24336-4	1	PLATED HEAT EXCHANGER KIT

DYNAMIC LOAD ANTICIPATOR ASSY				
ITEM	PART NO.	QTY	DESCRIPTION	
2	69103	1	CIRCULATOR-1" CRTG TACO L0710-Y6S11-FVAN	
3	59170	2	SHUT-OFF FREEDOM SWIVEL FLG 3/4" NPT	
4	92092	1	T&P RELIEF VALVE 1" NPT	
5	123449	3	TEMPERATURE SENSOR	
6	92091	1	VALVE, BALL 1" NPT [DRAIN]	

GAS TRAIN				
ITEM	PART NO.	QTY	DESCRIPTION	
(2) 7	22168	1	STD FM GAS TRAIN	
	22168-1	1	DBB GAS TRAIN	

EXHAUST MANIFOLD				
ITEM	PART NO.	QTY	DESCRIPTION	
8	44085-1	1	EXHAUST MANIFOLD	
9	61020	1	SENSOR, EXHAUST TEMPERATURE	

AIR FUEL DELIVERY SYTEM - BLOWER, A/F VALVE & ACCESS.				
ITEM	PART NO.	QTY	DESCRIPTION	
(5) 10	24111	1	BLOWER - AMETEK 8.9"	
(4) 11	24220-4	1	VALVE, AIR FUEL [NAT. GAS]	
12	59138	1	FILTER, 6" AIR	
13	61024	1	SENSOR, AIR INLET TEMP.	
14	60011-1	1	SWITCH ASSY - BLOWER PROOF	
15	61002-5	1	SWITCH - BLOCKED INLET 8.0" W.C.	

BURNER				
ITEM	PART NO.	QTY	DESCRIPTION	
16	24335-1	1	LOW NOx BURNER ASSY KIT	
17	44086	1	LOW NOx BURNER MTG PLATE	

ENCLOSURE - BASE- ELECTRICAL PANEL				
ITEM	PART NO.	QTY	DESCRIPTION	
18	37094	1	FRONT PANEL ASSEMBLY	
19	37098	1	PANEL, TOP	
20	37097	1	PANEL, LEFT REAR	
21	37081	1	COVER, 1" PIPE	
22	37101	1	REAR PANEL, UPR RIGHT	
23	37102	1	ACCESS PANEL, RIGHT REAR	
24	37104	1	PANEL, RIGHT SIDE ZERO CLEARANCE	
25	37103	1	LOWER PANEL, RIGHT REAR	
26	37096	1	FRONT DOOR ASSEMBLY	
27	37099	2	PANEL, SIDE	
28	37063	1	PANEL, REAR LOWER	
29	30081	1	PANEL, BASE COVER	
30	34061	1	BASE, FORMED 26 X 40	
31	39144	1	RING ASSY, LOWER HEAD	
32	34063	2	LEG, BASE	
33	30090	1	PANEL, ELECTRICAL	

GASKETS / 'O'RINGS				
ITEM	PART NO.	QTY	DESCRIPTION	
34	GP-18900	1	SEAL, MANIFOLD TO LWR HEAD	
35	GP-122537	1	GASKET, EXH MANF TO COMB CHAMB	
36	GP-18899	1	GASKET, BURNER FLANGE	
37	81136	1	GASKET, INTAKE MANIFOLD	
38	124749	1	GASKET, FIBRE FRAX	
39	81150	1	GASKET, FLAME ROD	
40	GP-18532	2	GASKET, SHELL 1/16	
41	GP-18556	1	GASKET, RELEASE	
42	GP-123077	1	LINER, UPPER HEAD	
(5) 43	81064	1	GASKET, BLOWER	
(4) 44	81057	1	GASKET, A/F VALVE	
(1) (4) 45	88003	1	'O'-RING #2-339 [GAS TRAIN FLANGE]	
(3) 46	88004	1	'O'-RING #2-244	

CONTROLS				
ITEM	PART NO.	QTY	DESCRIPTION	
47	64099	1	POWER BOX ASSEMBLY	
48	65085	1	TRANSFORMER, GAS IGNITOR	
(1) 49	65104	1	CABLE, HV IGNITION	
(1) 50	63072	1	HARNESS, SHELL WIRING	
(1) 51	63079	1	HARNESS, INNOVATION CONTROL	
52	69158	1	I/O WIRING BOX ASSEMBLY	
53	123552	1	SWITCH, OVER TEMP - MANUAL	
54	123966	1	SWITCH, OVER TEMP - AUTO	
(6) 55	122843	1	SENSOR, LOW WATER CUTOFF	
56	181197	1	C-MORE CONTROL BOX	
(1) 57	161450	1	HARNESS, GAS TRAIN MAIN WIRING [FM & DBB]	
(1) 58	124024	1	HARNESS, DBB GAS TRAIN	

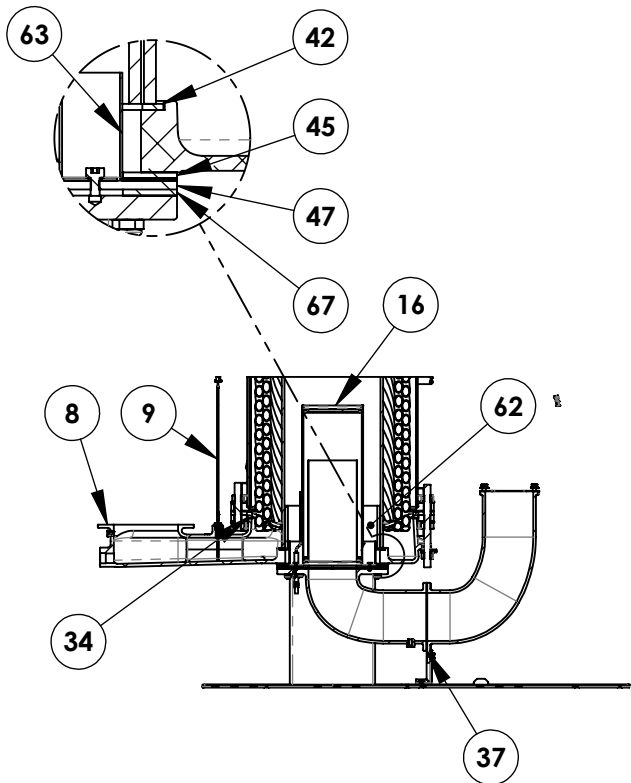
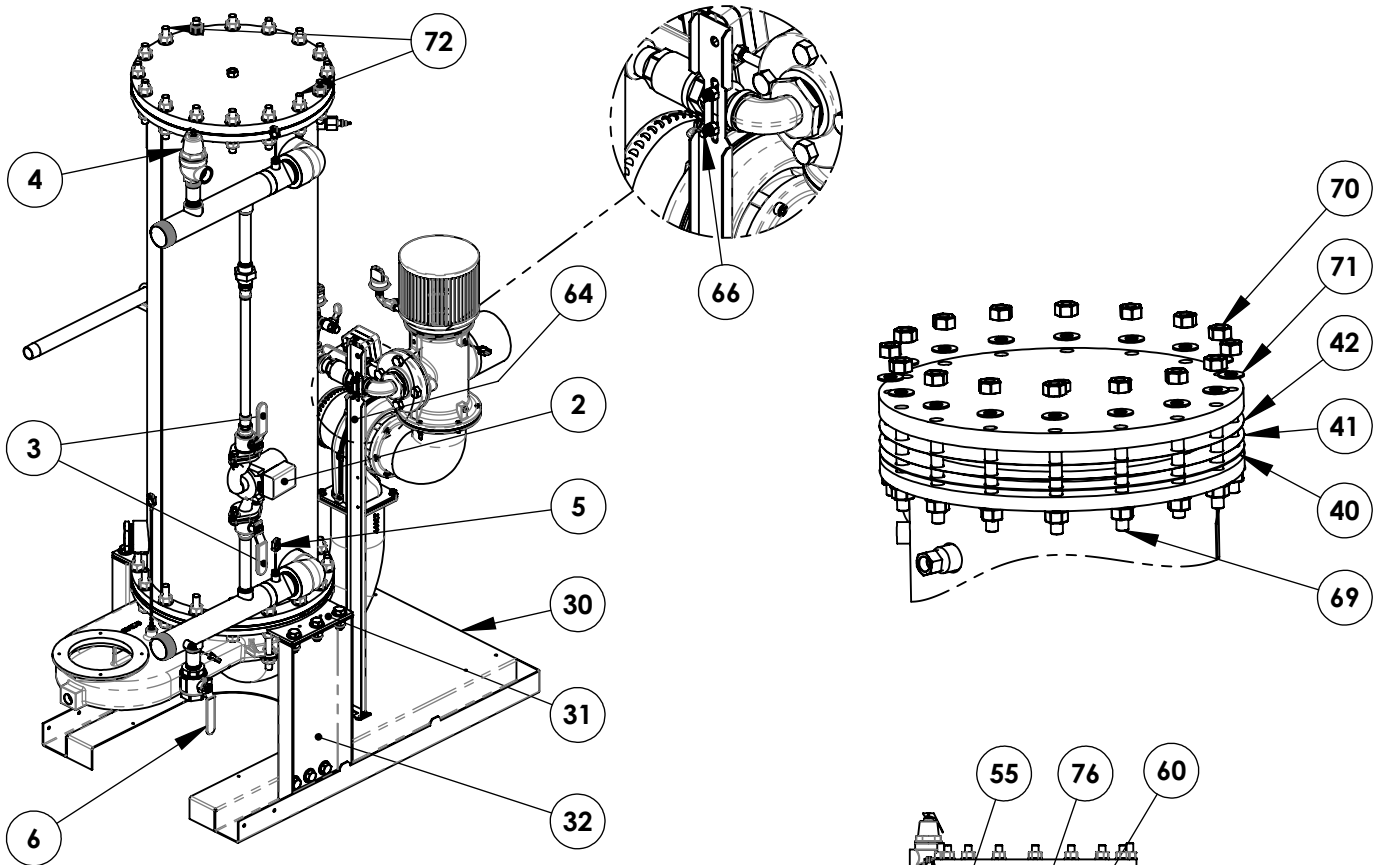
OTHER PARTS				
ITEM	PART NO.	QTY	DESCRIPTION	
59	59133	5	LATCH, COMPRESSION	
60	32142-1	1	BAFFLE ASSY, HT EXCHANGER	
61	74021	1	INN1350 LOGO LABEL	
62	GP-161151	1	LINER, COMBUSTION CHAMB	
63	49209	1	SHIELD, CONDENSATE	
64	33132	1	GAS TRAIN BASE MOUNT BRKT	
66	55064	2	U-BOLT 1" PIPE	
67	33114	1	GAS TRAIN LOWER BRKT	
68	33115	1	GAS TRAIN UPPER BRKT	
69	52031	27	STUD 5/8-11 X 3-3/4	
70	56061	64	HEX NUT 5/8-11	
71	53037	64	FLAT WASHER 5/8	
72	52029	2	STUD 5/8-11 X 4-1/2	
73	52030	3	STUD 5/8-11 X 7-3/4	
74	59039	1	HOSE CLAMP 6"	
75	39125	1	ADAPTER, 6" PVC AIR INLET	
76	62005	1	CORD GRIP	

PARTS FOR MODELS EQUIPPED WITH ACTUATOR/SEQ'G VALVE FOR WATER HEATER MANAGEMENT				
ITEM	PART NO.	QTY	DESCRIPTION	
98	93100	1	UNION, 2" NPT 304 STAINLESS	
99	90046-3	1	NIPPLE, 2" NPT STAINLESS	
100	92093	1	VALVE, 2" DOMESTIC H.W.	

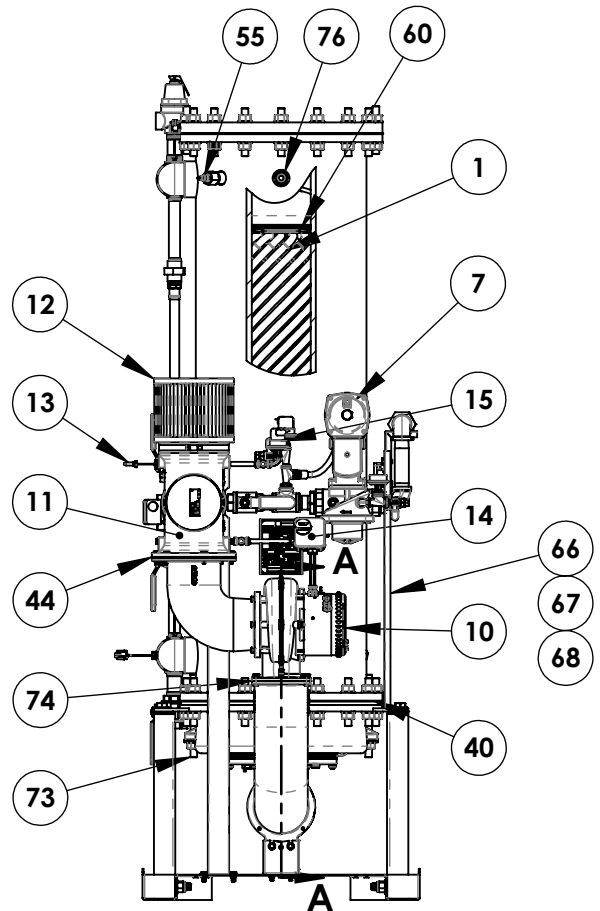
NOTES:

- (1) NOT SHOWN IN DRAWING
- (2) FOR PICTORAL PURPOSES ONLY, FM GAS TRAIN [NON DUAL FUEL] IS SHOWN.
- (3) SEE DRAWING **PL-A-164**
- (4) 81057, 88003, & 24220-4 ARE SUPPLIED AS A KIT. ORDER KIT #**24311-4**
- (5) 24111, 81064, & 81057 ARE SUPPLIED AS A KIT. ORDER KIT # **58039**.
- (6) 122843, 63070 [CAPACITOR, NOT SHOWN], AND GP-122690 [NOT SHOWN] ARE SUPPLIED AS A KIT. ORDER KIT #**69126**.

		
<b>INN1350</b> <b>PARTS LIST</b>		
DWG. BY: C. Wms. DATE: 5-3-12	DWG. NO.:	REV
SCALE: _____	SIZE: <b>A</b>	<b>PL-A-176</b>
CHKD BY: _____	REV DATE: _____	SHEET 1 OF 4



SECTION A-A



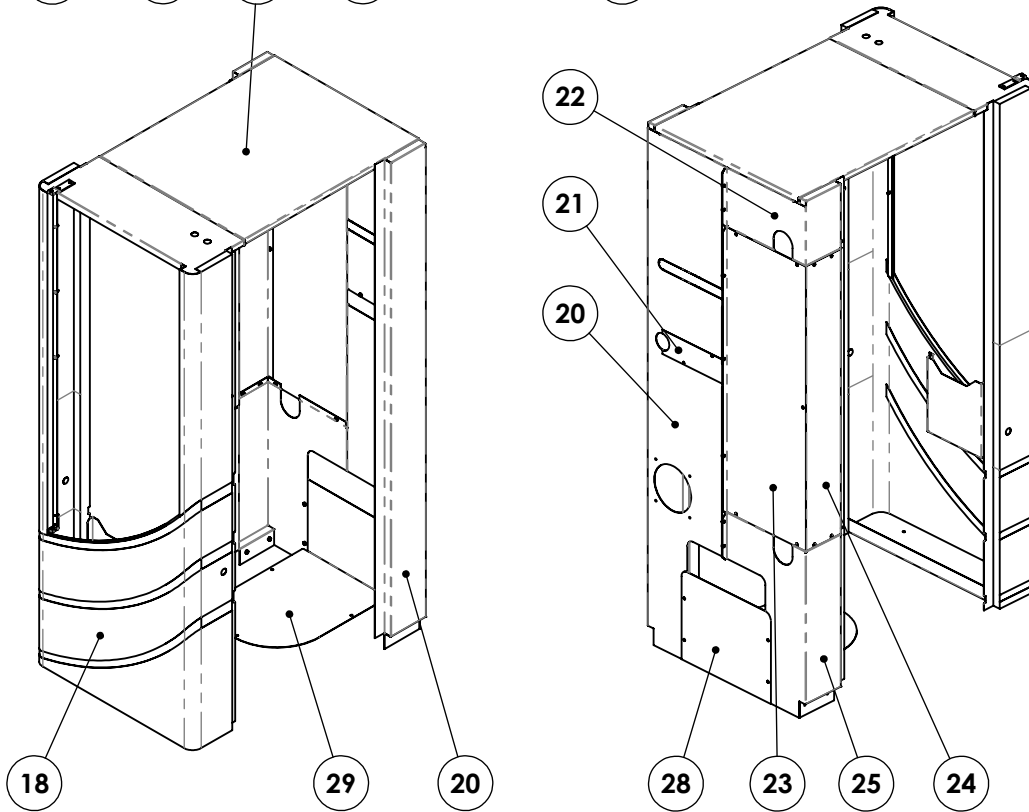
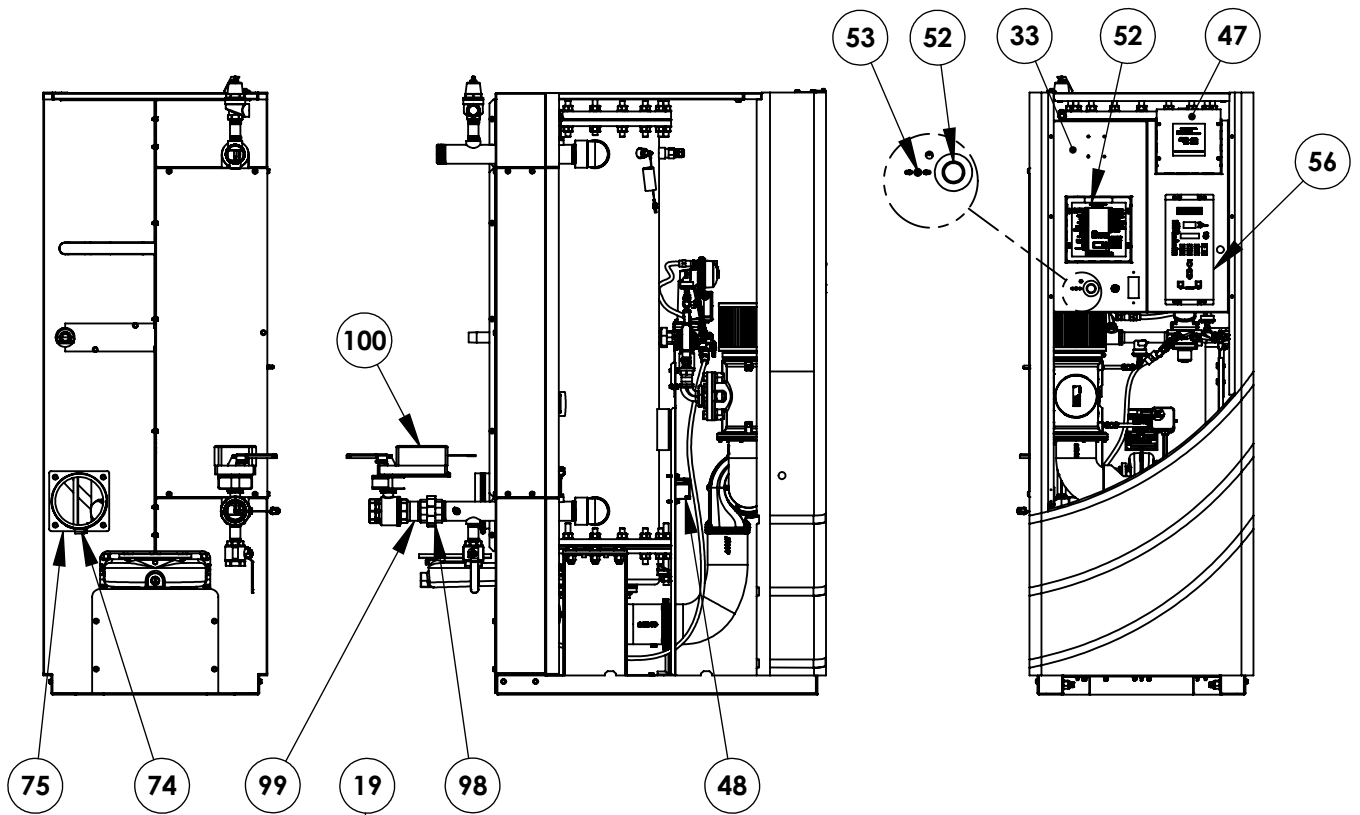
**AERCO** INTERNATIONAL INC.  
Blauvelt, NY 10913

**INN1350  
PARTS LIST**

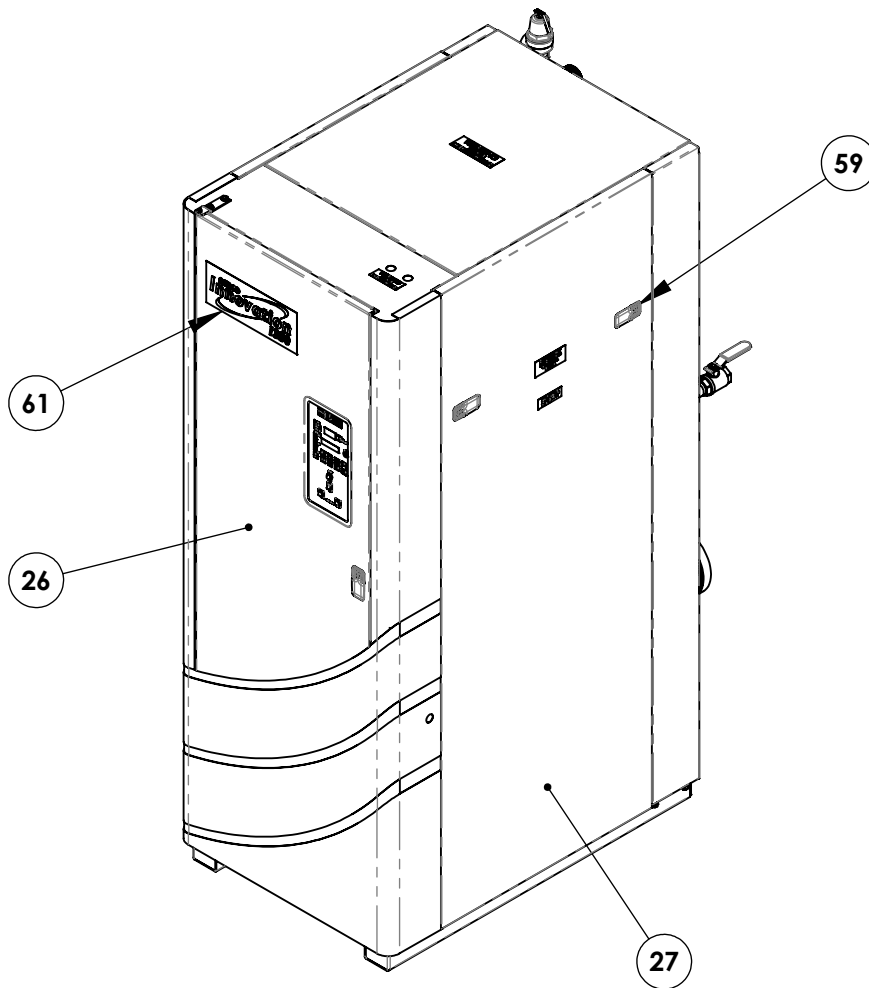
DWN. BY C. Wms DATE 5-3-11  
SCALE NTS SIZE  
CHD BY APPD

DWG. NO.:  
**PL-A-176**  
SHEET 2 OF 4

REV  
**A**



INTERNATIONAL INC. Blauvelt, NY 10913	
<b>INN1350</b> <b>PARTS LIST</b>	
DWN. BY: C.Wms. DATE: 5-3-12	DWG. NO.:
SCALE: NTS SIZE:	<b>PL-A-176</b>
CHD BY: APPD:	SHEET 3 OF 4
	REV <b>A</b>



 INTERNATIONAL INC. Blauvelt, NY 10913			
<b>INN1350</b> <b>PARTS LIST</b>			
DWN. BY: C. Wms.	DATE: 5-3-11	DWG. NO.:	REV
SCALE: NTS	SIZE:	<b>PL-A-176</b>	<b>A</b>
CHD BY:	APPD:	SHEET 4 OF 4	