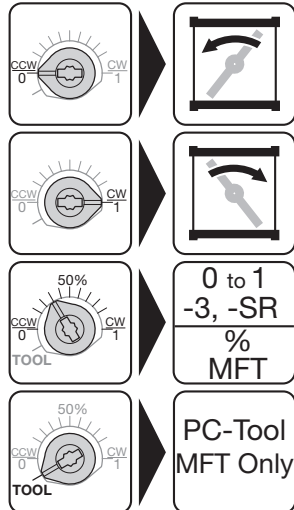
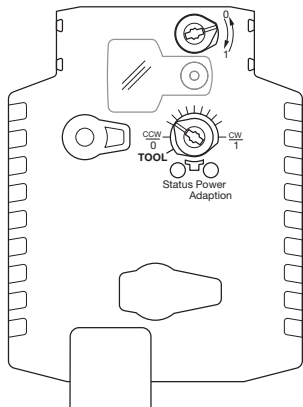
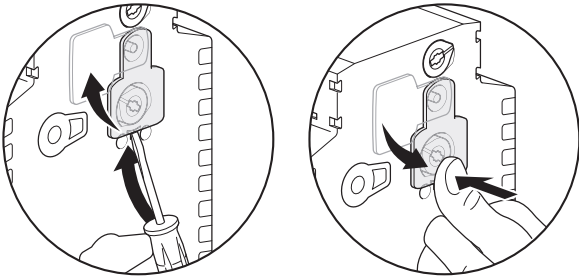
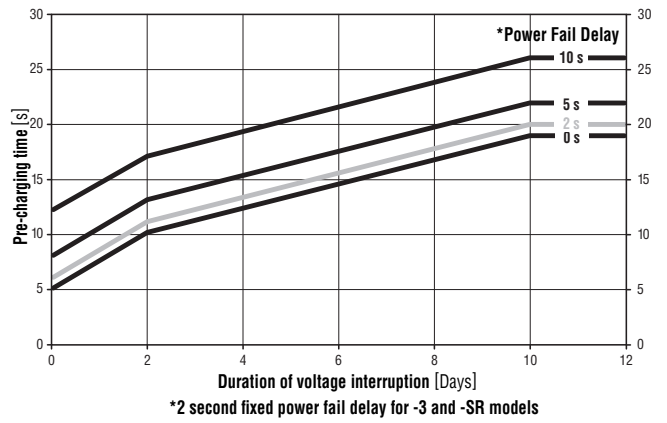


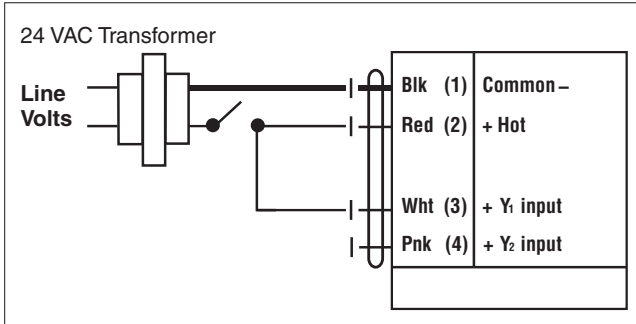
**Fail-Safe Position Setting**



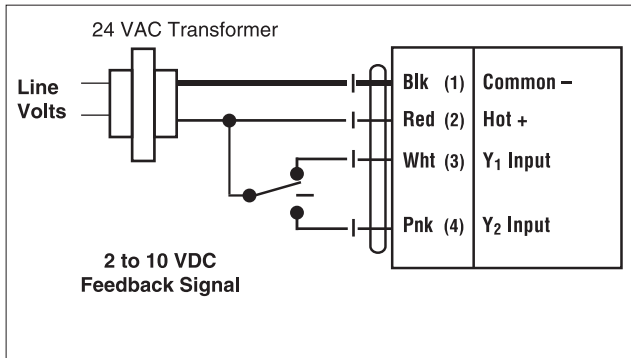
**Typical Pre-Charging Times**



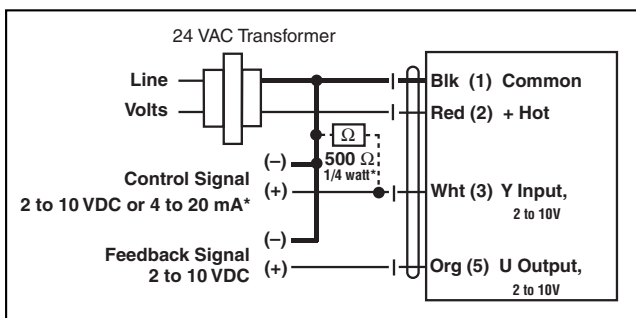
SUBJECT TO CHANGE. © BELIMO AIRCONTROLS (USA), INC.



On/Off



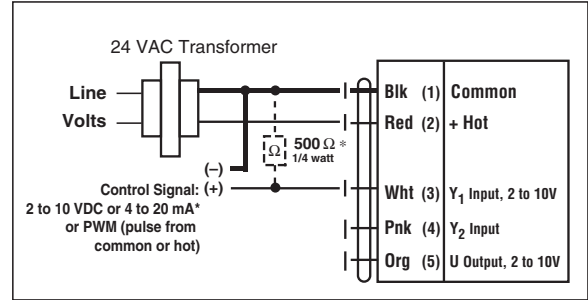
Floating Point



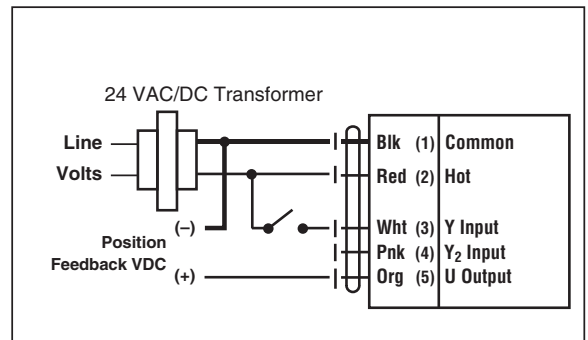
2 to 10 VDC  
\*use 500 Ω resistor for 4 to 20 mA

Wire Colors

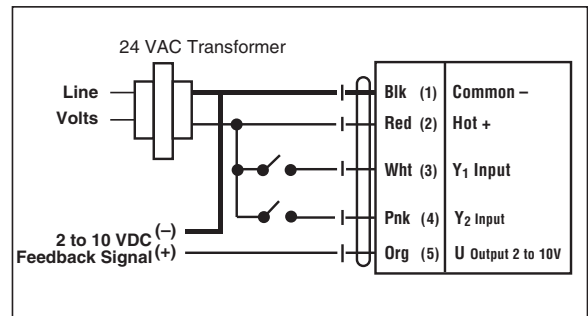
<b>BLK</b> Black Negro Noir Preto	<b>RED</b> Red Rojo Rouge Vermelho	<b>PNK</b> Pink Rosado Rosa Cor-de rosa	<b>Master</b> Master Amo Maitre Mestre
<b>ORG</b> Orange Anaranjado Orange Alaranjado	<b>WHT</b> White Blanco Blanc Branco	<b>Slave</b> Slave Esclavo Esclave Escravo	



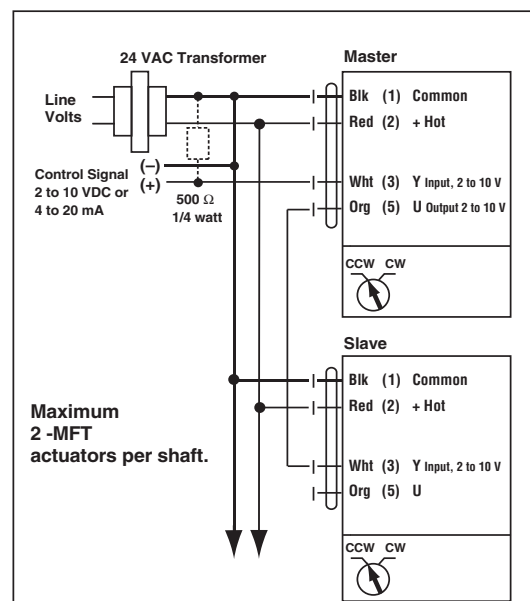
VDC/4-20 mA, PWM  
\*use 500 Ω resistor for 4 to 20 mA



Two-Position



Floating Point



MFT Master-Slave

SUBJECT TO CHANGE. © BELIMO AIRCONTROLS (USA), INC.

Belimo worldwide: [www.belimo.com](http://www.belimo.com)

**BELIMO Americas**

**USA Locations**, 43 Old Ridgebury Road, Danbury, CT 06810

Tel. 800-543-9038, Fax 800-228-8283, [marketing@us.belimo.com](mailto:marketing@us.belimo.com)

1049 Fortunato Loop, Sparks, NV 89436

Tel: 800-987-9042, Tel: 775-857-4243, Fax: 800-987-8875, [marketing@us.belimo.com](mailto:marketing@us.belimo.com)

**Canada Locations**, 14/16 – 5716 Coopers Avenue, Mississauga, Ontario L4Z 2E8

Tel. 866-805-7089, Fax 905-712-3124, [marketing@us.belimo.com](mailto:marketing@us.belimo.com)

**Latin America and the Caribbean Customer Service,**

Tel. 203-791-8396, Fax 203-791-9139, [marketing@us.belimo.com](mailto:marketing@us.belimo.com)

