

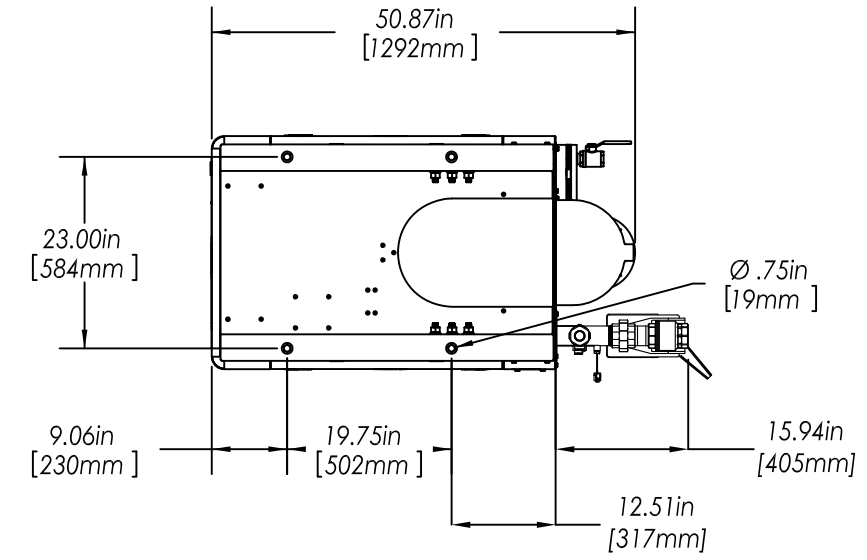
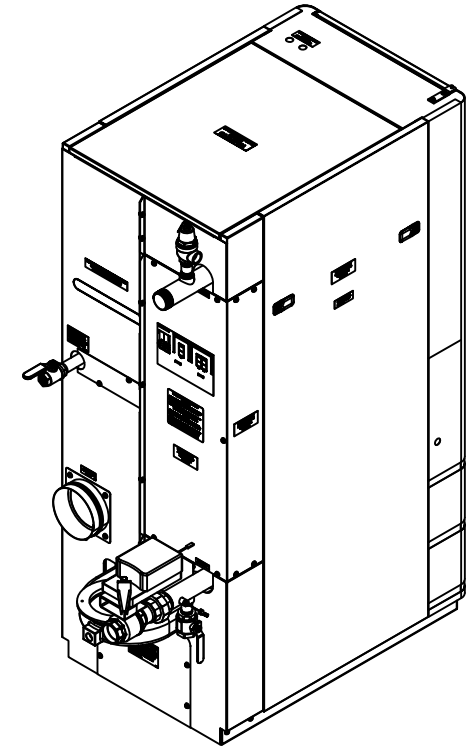
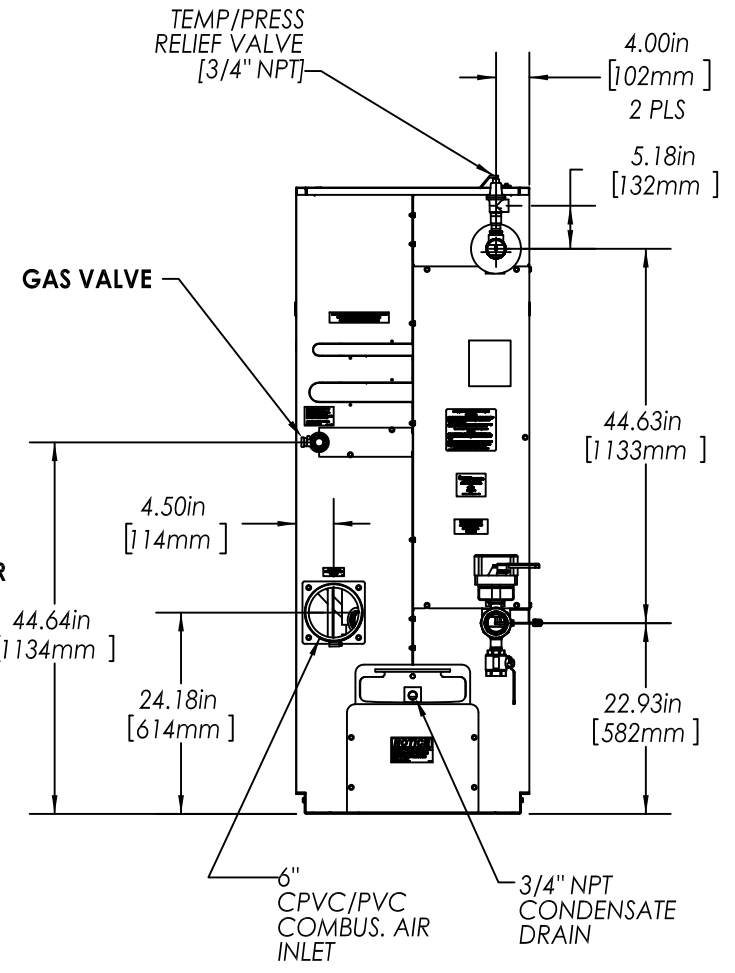
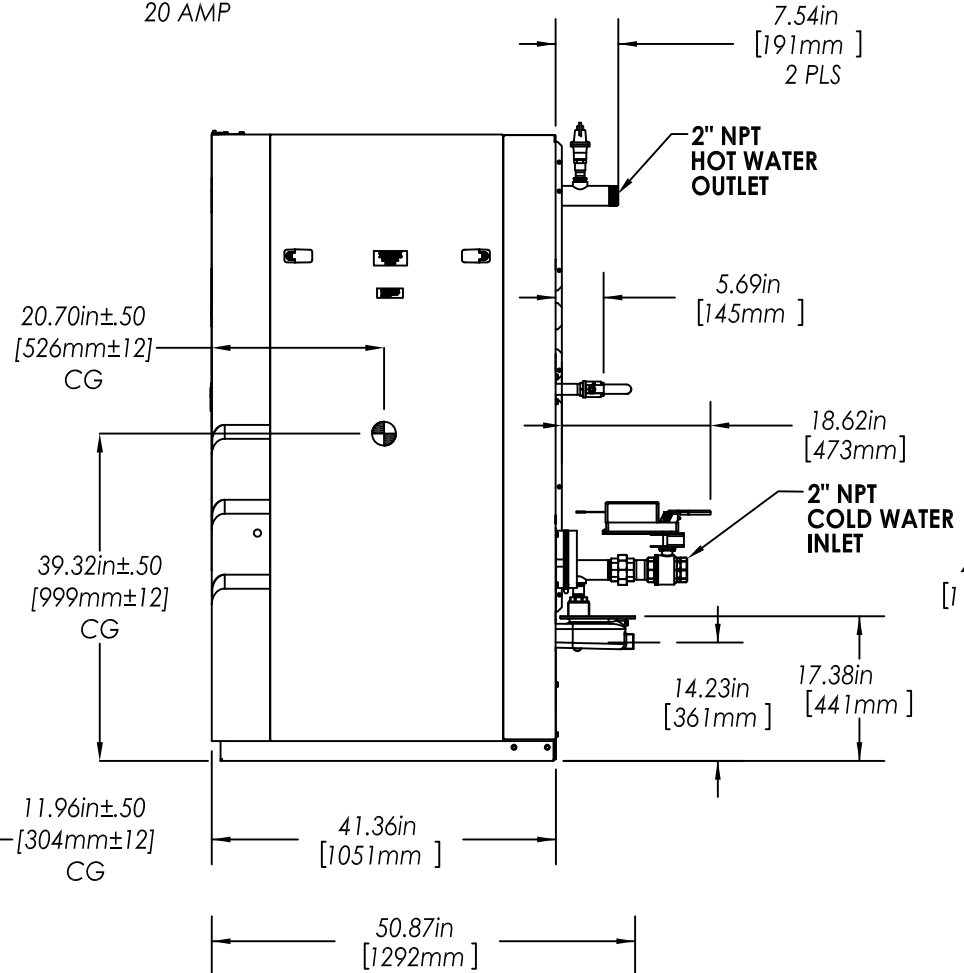
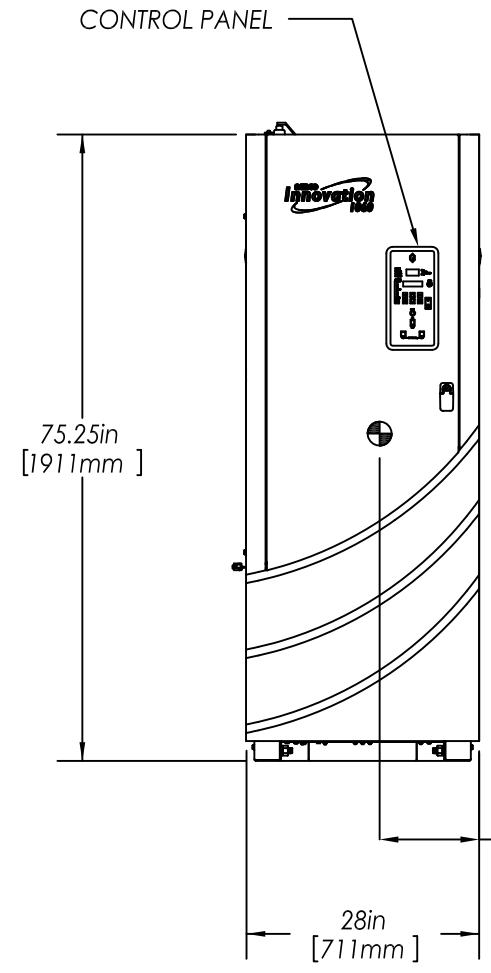
**HEAT EXCHANGER DESIGN STANDARDS**

|            | MAX. WORKING PRESS. (PSIG) | MAXIMUM TEMP. (°F) | TEST PRESS. (PSIG) |
|------------|----------------------------|--------------------|--------------------|
| SHELL SIDE | 160                        | 210                | 240                |

ASME B & PV CODE SECTION IV STAMP HLW

**MATERIALS OF CONSTRUCTION**

|                    |   |
|--------------------|---|
| PRESSURE VESSEL    | SHELL: [USA]3/16" THK, STAINLESS 439, SA-240 [CANADA] 3/16" THK STAINLESS 304L, SA-312 [ELECTROLESS NICKEL PLATED]  |
| COMBUSTION CHAMBER | 316L STAINLESS HELICAL TUBES, SA-249<br>DOMED HEAD: 316 STAINLESS, SA-240<br>TUBESHEET: STAINLESS 316, SA-240<br>1/4" WALL WELDED TUBE SA-312 TP316 [ALL ELECTROLESS NICKEL PLATED] |



**TABLE 'A'**

| MODEL   | NAT GAS INLET CONNECTION | PROPANE INLET CONNECTION |
|---------|--------------------------|--------------------------|
| INN600  | 1" NPT                   | 1/2" NPT                 |
| INN800  |                          | 1/2" NPT                 |
| INN1060 |                          | 3/4" NPT                 |
| INN1350 |                          | 3/4" NPT                 |

ALL DIMENSIONS ARE IN INCHES [mm]

**AERCO** A WATTS Brand  
 100 ORITANI DRIVE BLAUVELT, NY 10913  
 aerco.com

**AERCO Innovation 600/800/1060/1350  
 GAS FIRED WATER HEATER WITH  
 SEQUENCING VALVE DIMENSIONAL OUTLINE**

|          |    |       |         |          |                 |      |          |
|----------|----|-------|---------|----------|-----------------|------|----------|
| DWN.BY   | HM | DATE  | 4/11/12 | DWG. NO: | <b>AP-A-902</b> | REV. | <b>C</b> |
| SCALE    |    | SIZE  | B       |          |                 |      |          |
| CHKD.    |    | APPD. |         |          |                 |      |          |
| REV.DATE |    | K.S.  | 061418  |          |                 |      |          |