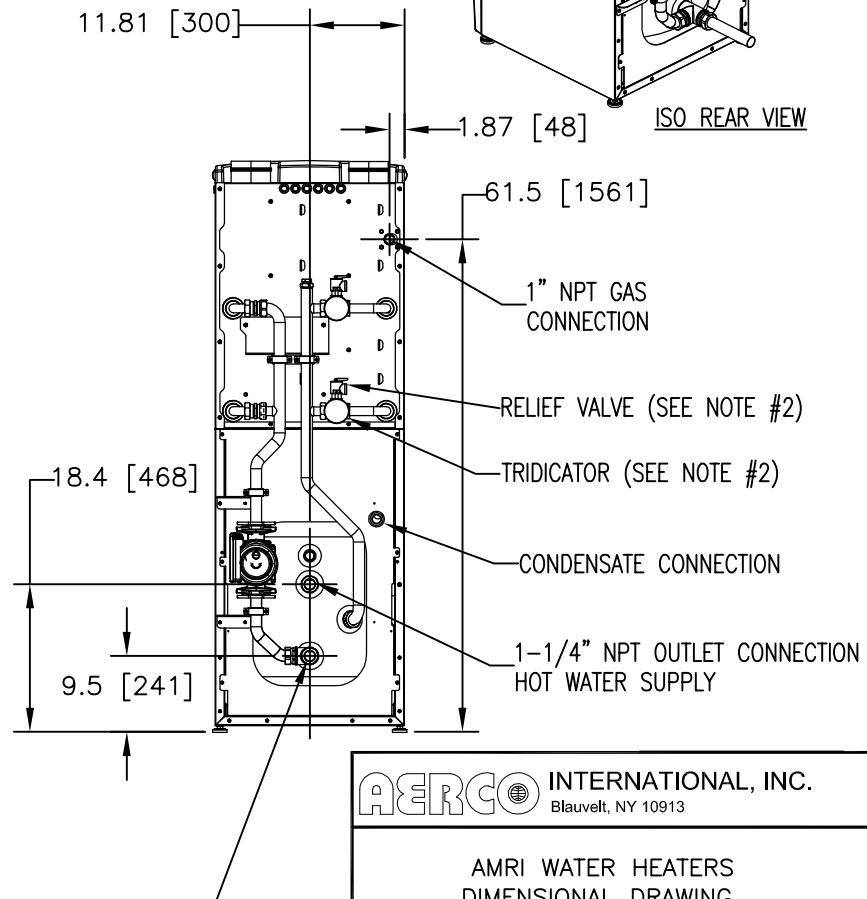
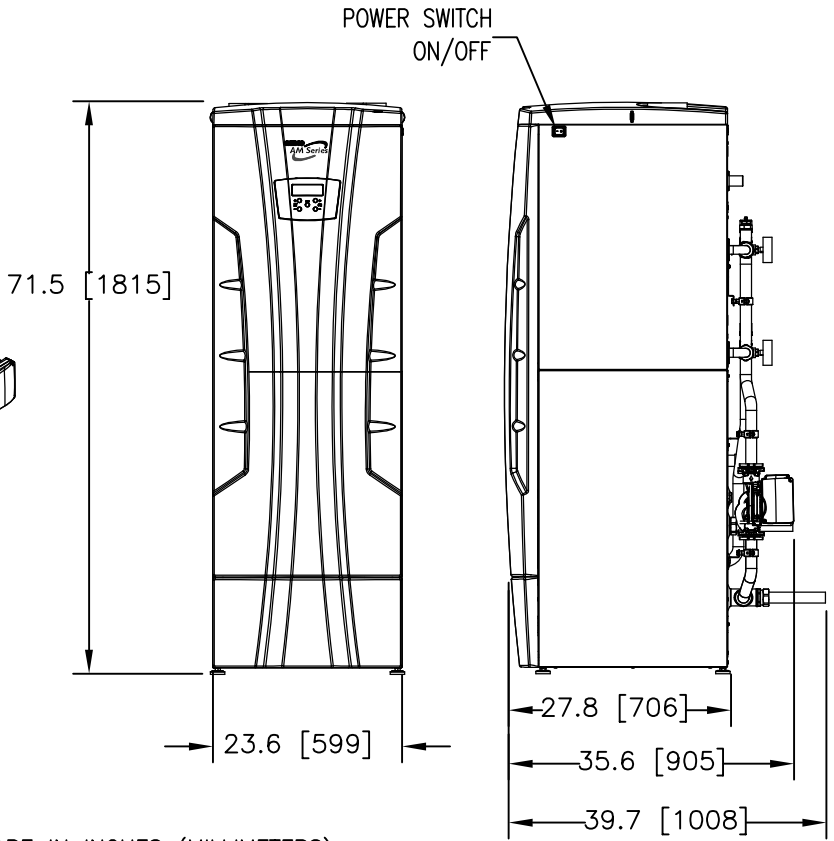
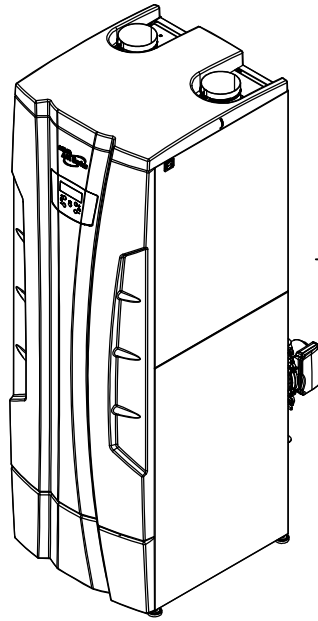
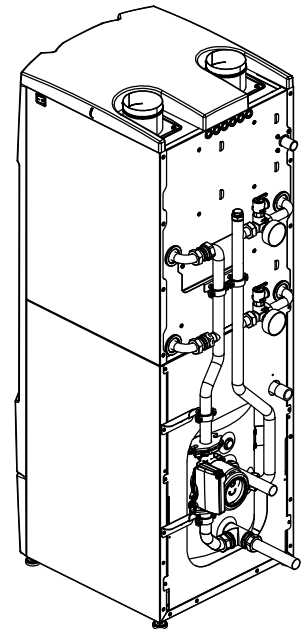
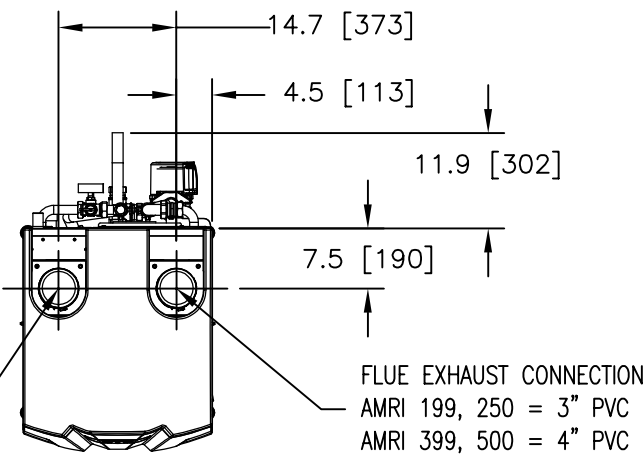


MATERIALS OF CONSTRUCTION	
HEAT EXCHANGER:	316 (Ti)
HEAT EXCHANGER DESIGN STANDARDS	
MAX. WORKING PRESS. (PSIG):	160
MAXIMUM TEMP. (°F):	210
TEST PRESS. (PSIG):	240
WATER HEATER UNITS: ASME-HLW STAMP	



NOTES:
 1) ALL DIMENSIONS SHOWN ARE IN INCHES (MILLIMETERS).
 2) RELIEF VALVE AND TRIDICATOR ARE INCLUDED ONE SET ON EACH MODULE.

AERCO INTERNATIONAL, INC. Blauvelt, NY 10913	
AMRI WATER HEATERS DIMENSIONAL DRAWING	
DWN.BY. <u>K.S.</u> DATE <u>050615</u> SCALE _____ SIZE <u>A</u> CHKD. _____ APPD. _____ REV. DATE _____	AP-A-1016 REV. <u>B</u>