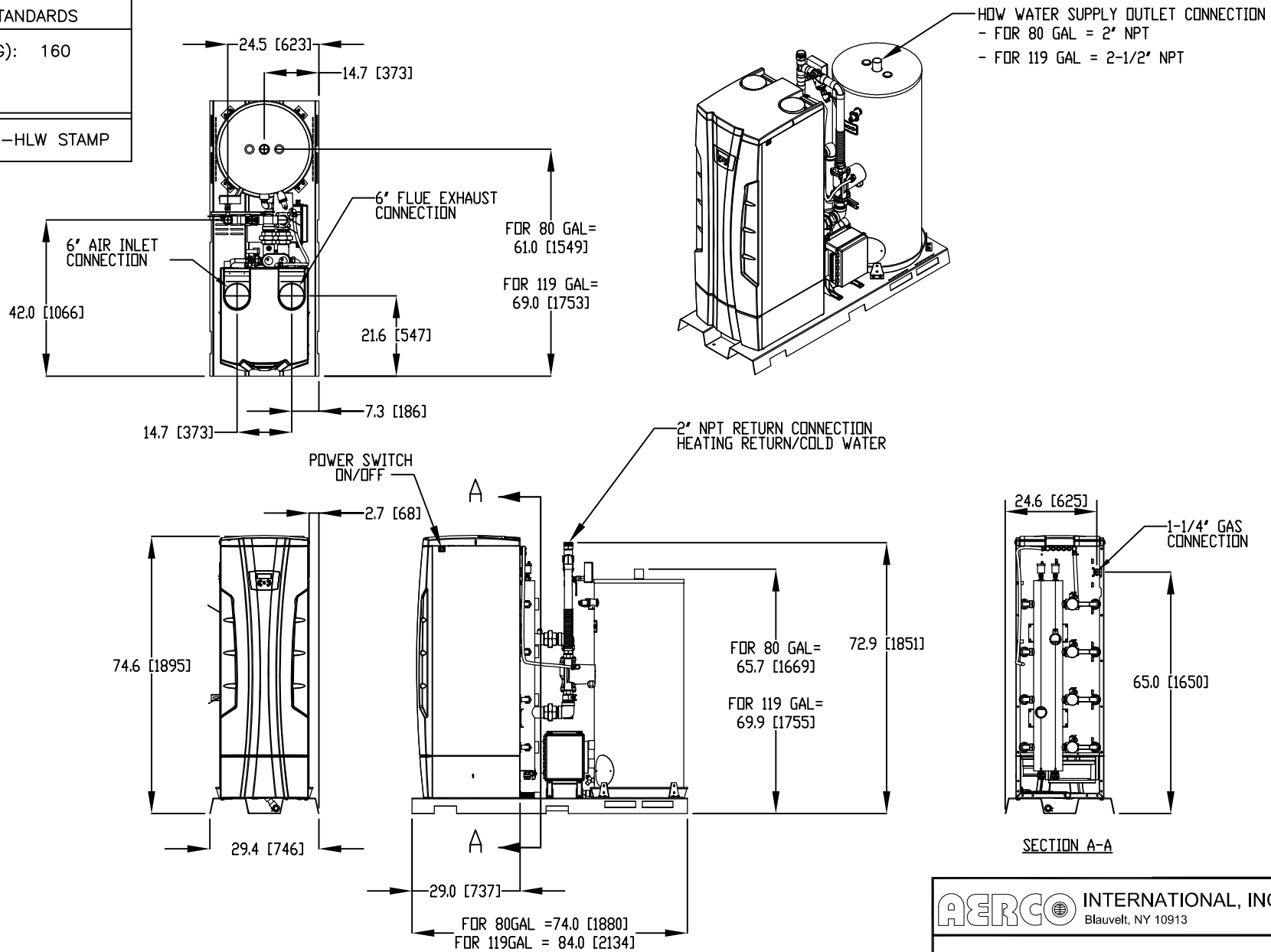


MATERIALS OF CONSTRUCTION
HEAT EXCHANGER: 316 (Ti)
HEAT EXCHANGER DESIGN STANDARDS
MAX. WORKING PRESS. (PSIG): 160
MAXIMUM TEMP. (°F): 210
TEST PRESS. (PSIG): 240
WATER HEATER UNITS: ASME-HLW STAMP



NOTES:
 1) ALL DIMENSIONS SHOWN ARE IN INCHES (MILLIMETERS).
 2) RELIEF VALVE AND TRIDICATOR ARE INCLUDED ONE SET ON EACH MODULE.

AERCO INTERNATIONAL, INC. Blauvelt, NY 10913	
AMRS 750, 1000 WATER HEATER DIMENSIONAL DRAWING	
DWN.BY J.R. DATE 050115 SCALE _____ SIZE <u>A</u> CHKD. _____ APPD. _____ REV.DATE _____	AP-A-1010 REV. C