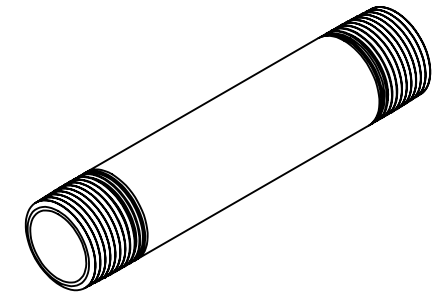
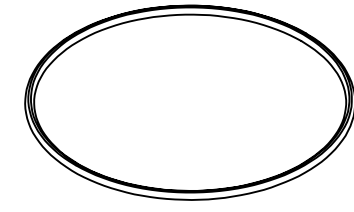


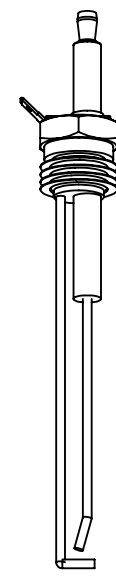
ITEM 1



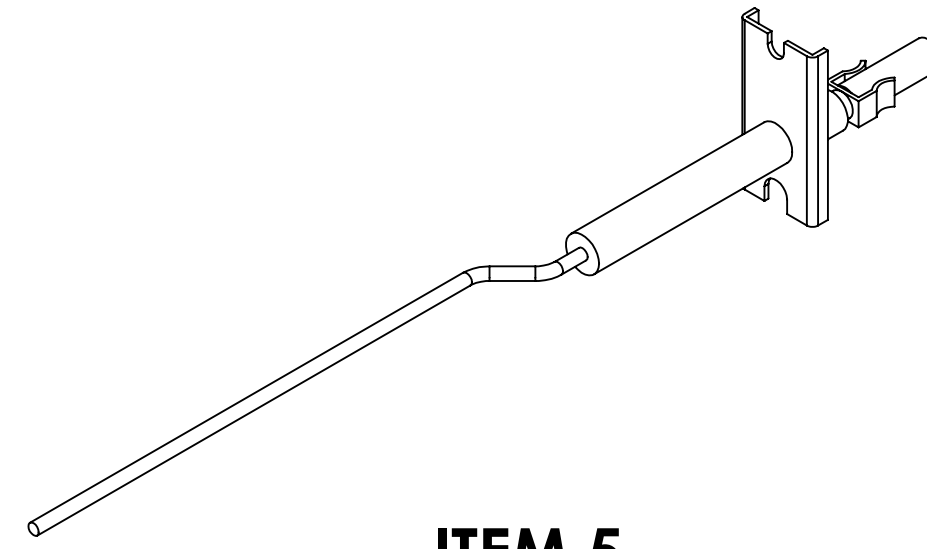
ITEM 2



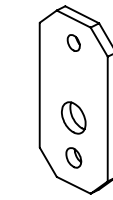
ITEM 3



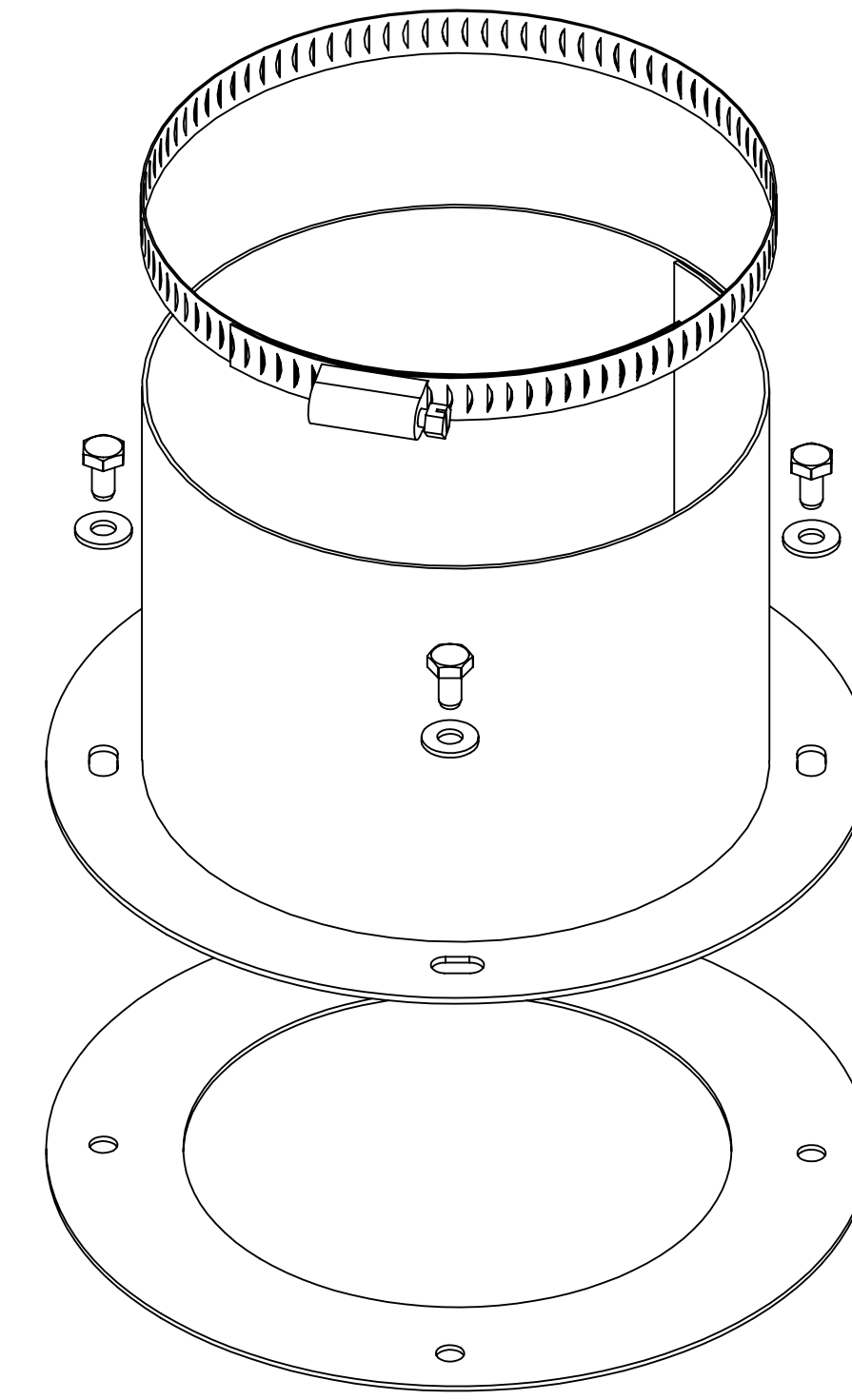
ITEM 4



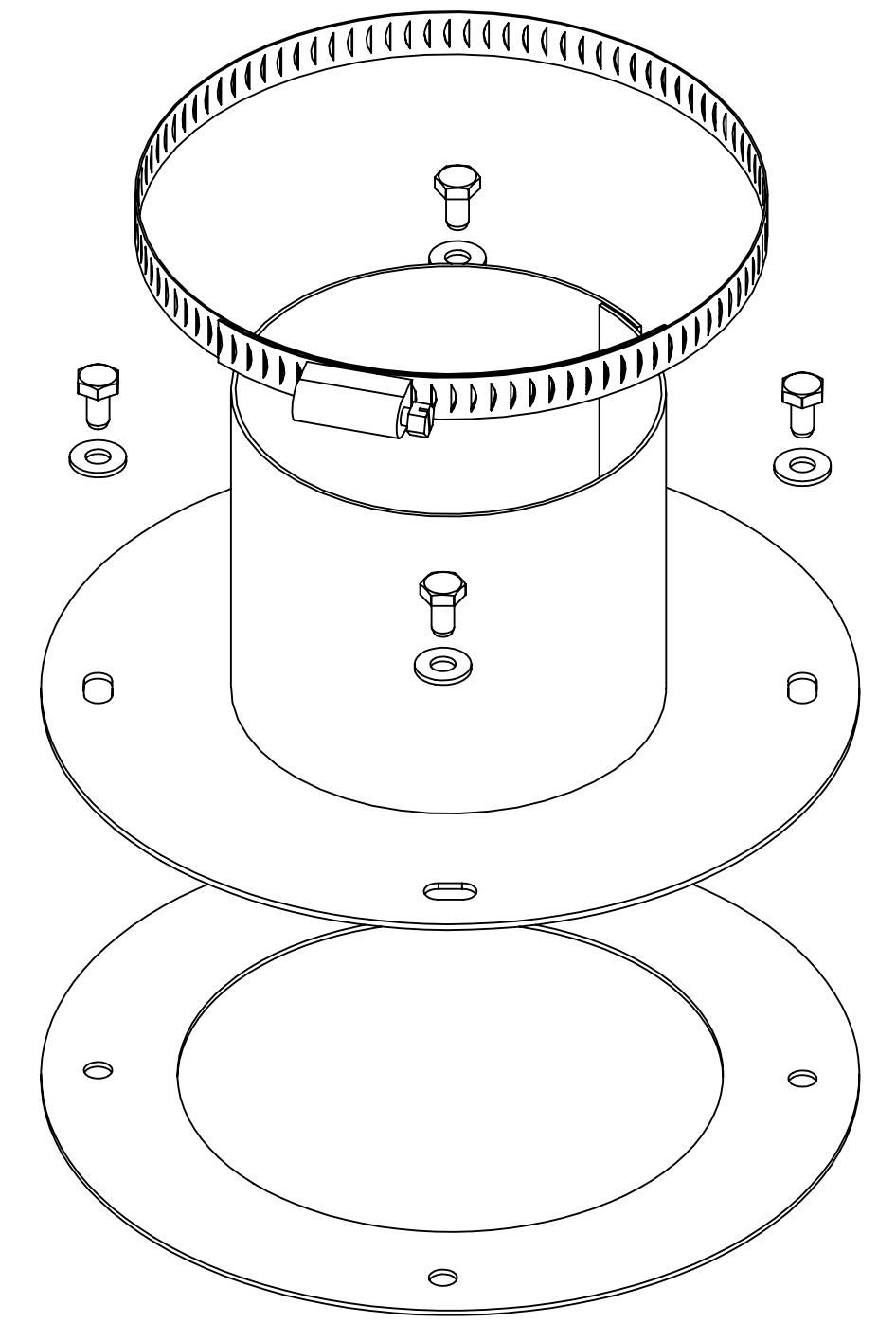
ITEM 5



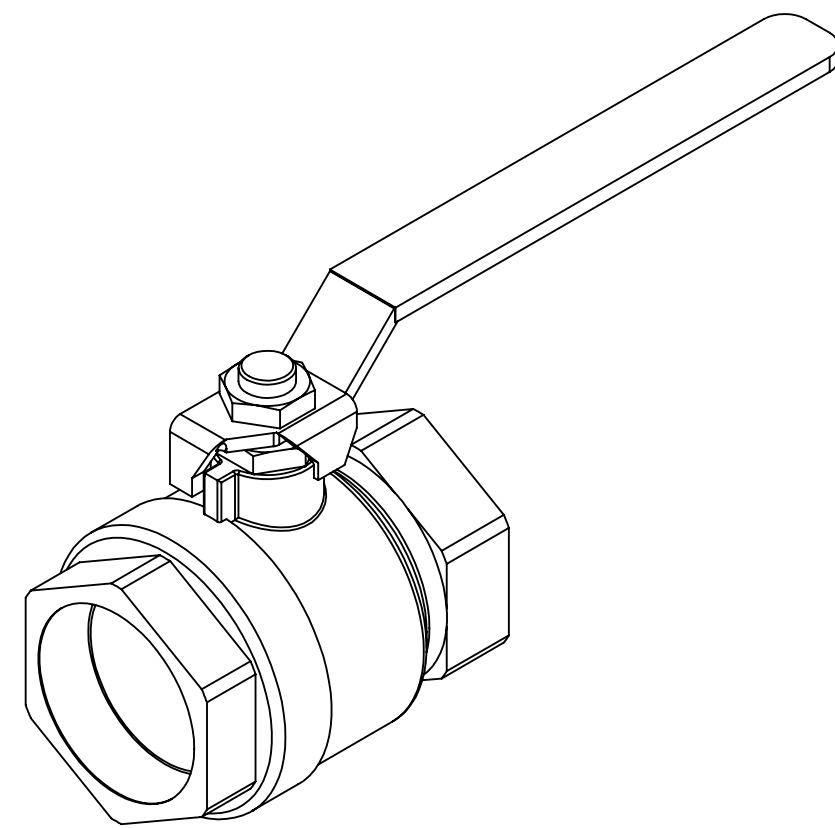
ITEM 6



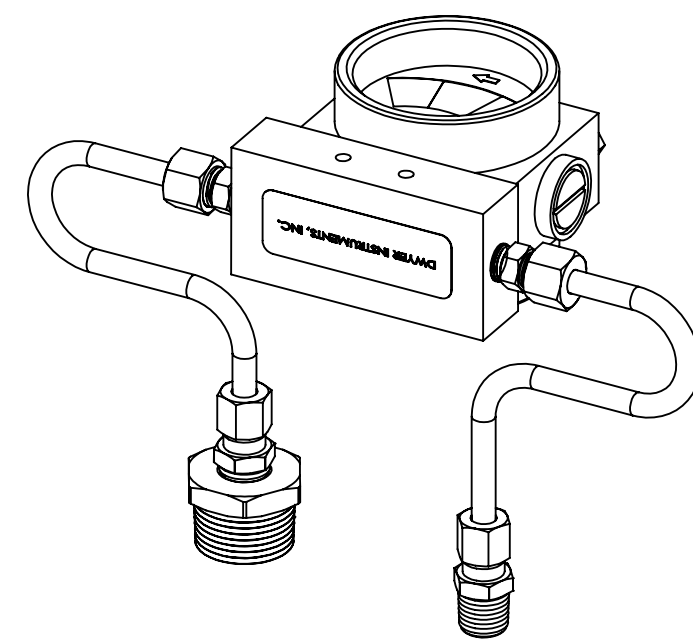
ITEM 7



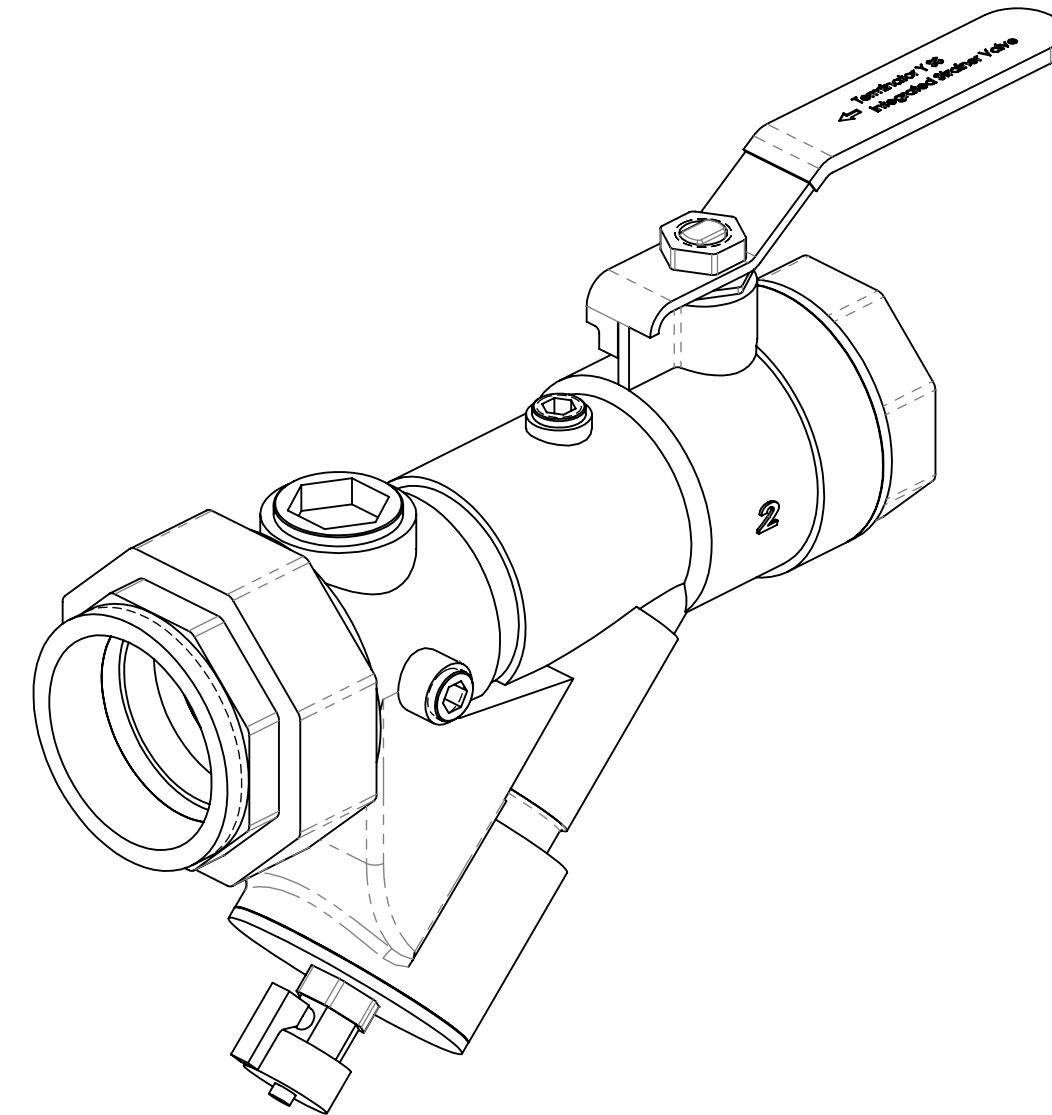
ITEM 8



ITEM 9



ITEM 10



ITEM 11

ITEM	QTY	PART #	DESCRIPTION	SPARE	ACCESS.	24357-1 BASE KIT	24357-2 w/SHUTOFFS & STRAINER	24357-3 w/6" PVC EXHAUST CONN.	24357-4 w/6" PVC EXH CONN, SHUTOFFS & STRAINER	24357-5 w/4" PVC EXHAUST CONNECTION	24357-6 w/4" PVC EXH CONN, SHUTOFFS & STRAINER
1	1	24060	CONDENSATE TRAP		X	◇	◇	◇	◇	◇	◇
2	1	94136	STAINLESS NIPPLE 3/4" NPT x 5"		X	◇	◇	◇	◇	◇	◇
3	2	84017	O-RING #2-152	X		◇	◇	◇	◇	◇	◇
4	1	58047	IGNITOR KIT	X		◇	◇	◇	◇	◇	◇
5	1	66018	FLAME ROD	X		◇	◇	◇	◇	◇	◇
6	1	81150	GASKET, FLAME ROD	X		◇	◇	◇	◇	◇	◇
7	1	24286	6" EXH CONN FOR PVC - KIT		X			◇	◇		
8	1	24287	4" EXH CONN FOR PVC - KIT		X					◇	◇
9	1	123540	2" NPT FULL PORT BALL VALVE	X			◇		◇		◇
10	1	27032-1	DIFFERENTIAL GAGE ASSY.		X		◇		◇		◇
11	1	92063	COMB'N BALL VALVE & STRNR 2" NPT	X			◇		◇		◇

REV	ECO	529	RELEASED FOR PRODUCTION	4-04-12	CW
			REVISIONS	DATE	BY CKD

THIRD ANGLE PROJECTION
 ORIGINAL DWG. SIZE: **D**
 DRAWN BY: **C.E.Wms.** DATE: **2-23-12**
 CHECKED BY: _____ DATE: _____
 ALL DIMENSIONS ARE IN INCHES AND ALL TOLERANCES ARE AS FOLLOWS UNLESS OTHERWISE SPECIFIED:
 XX ±.06 XXX ±.03 FRACTIONS 1/32± ANGLES ±1°
 DIAMETERS ON A COMMON AXIS .06 TOTAL CRITICAL DIMENSION
 PERPENDICULARITY/PARALLELISM/FLATNESS .06 TOTAL ALL DIMENSIONS ARE AFTER FINISH OR PLATING

AERCO INTERNATIONAL INC.
 Blauvelt, NY 10913

TITLE: **SPARE PARTS/ACCESSORIES KIT
 INNOVATION INN1350 GFWH**

MATL. SPEC.: _____ DWG. NO.: **24357-TAB** REV: **A**
 SHEET 1 OF 1