

Technical Data Sheet

Benchmark Boiler Outdoor Solutions

Benchmark Series boilers have led the industry in performance and efficiency since first released in 1997.

Building on a legacy of installation and application flexibility, AERCO is pleased to offer an outdoor installation solution for Benchmark boilers.

A combination of corrosion resistant high strength aluminum and coated steel will ensure the enclosure will protect Benchmark boilers from the elements.

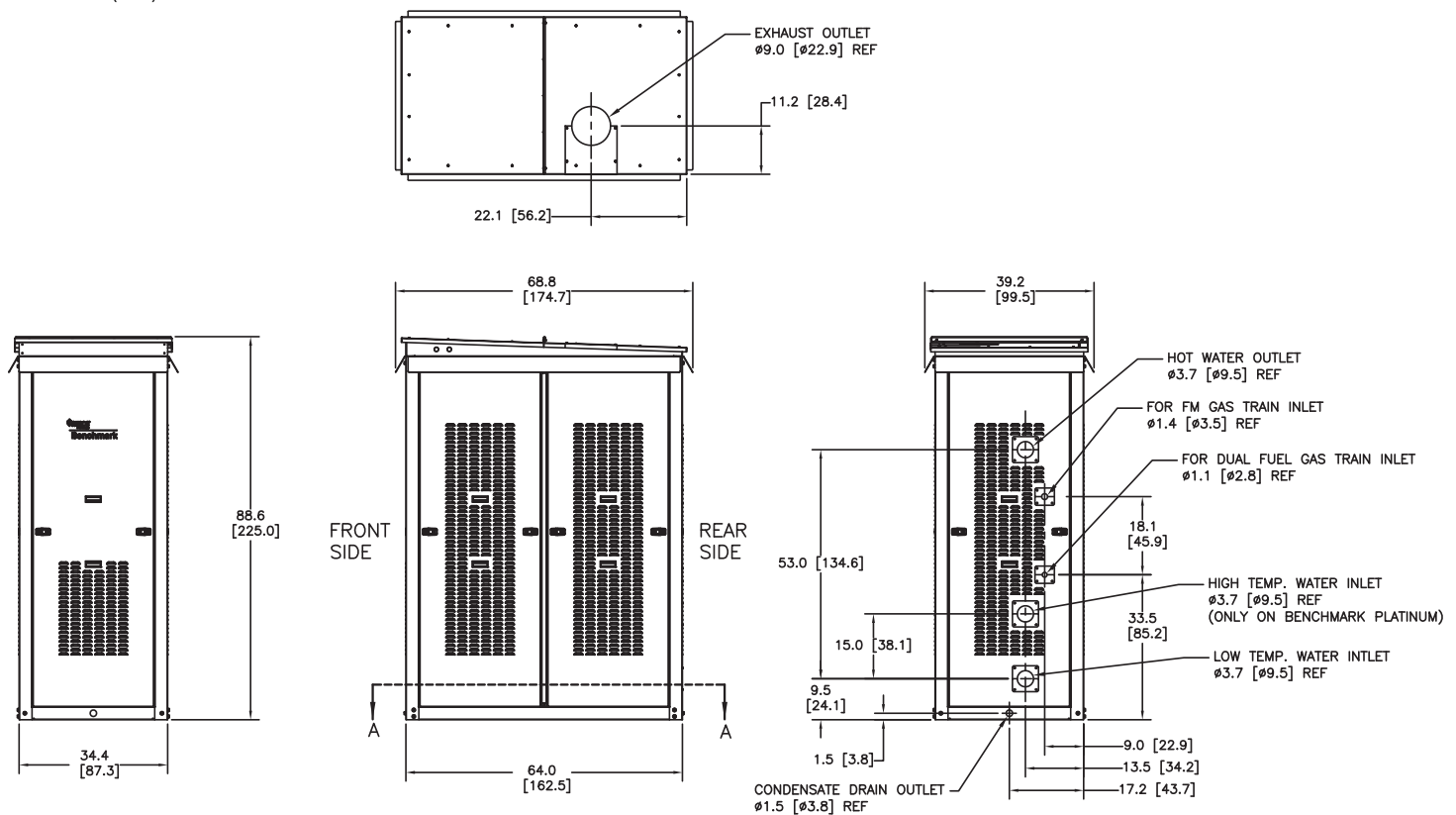
Key Features:

- Corrosion resistant 5052 aluminum alloy (commonly used in marine applications) and zinc-coated steel construction.
- Boiler outdoor operational range: 20°F - 120°F
- Assembly time of no more than 2.5 hours



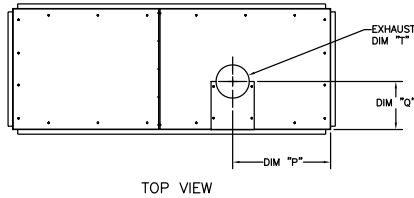
Dimensions BMK 750/1000

Inches (cm)

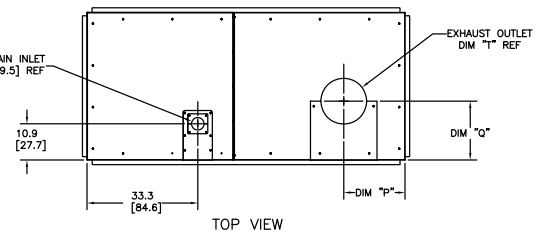


Dimensions BMK 1500 - 5000N Inches (cm)

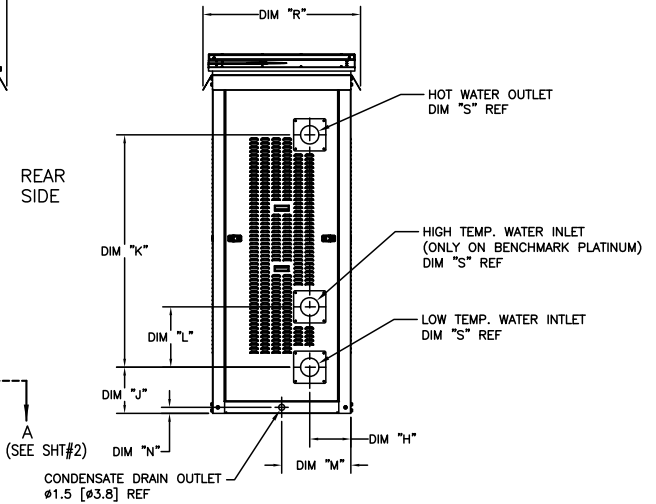
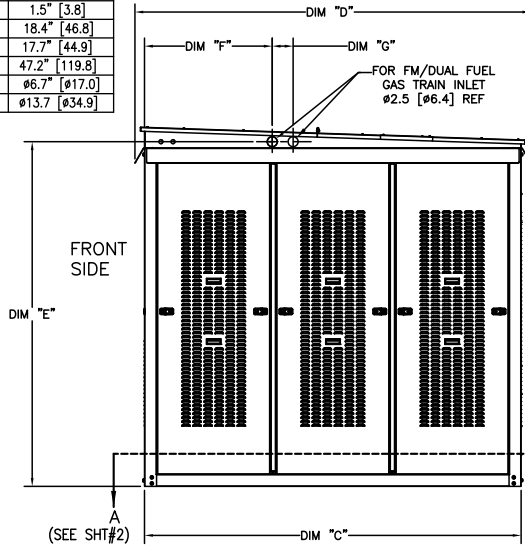
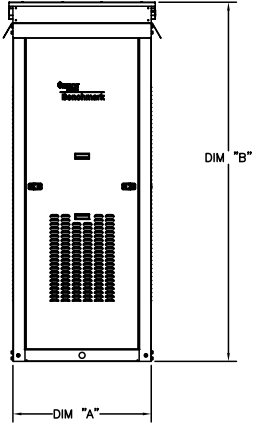
BENCHMARK/BENCHMARK PLATINUM UNITS			
DIM. "X"	1500-2000	2500-3000	4000-5000N
A	34.3" [87.3]	34.3" [87.3]	42.5" [107.6]
B	89.3" [226.8]	89.3" [226.8]	89.3" [226.8]
C	93.6" [237.8]	93.6" [237.8]	93.6" [237.8]
D	98.4" [250.0]	98.4" [250.0]	98.4" [250.0]
E	85.6" [217.6]	85.6" [217.6]	85.6" [217.6]
F	31.7" [80.6]	31.7" [80.6]	31.7" [80.6]
G	5.2" [13.2]	5.2" [13.2]	5.2" [13.2]
H	10.2" [26.0]	8.7" [22.2]	10.2" [26.0]
J	11.5" [29.2]	11.5" [29.2]	12.4" [31.5]
K	57.7" [146.7]	57.7" [146.7]	56.2" [142.5]
L	15" [38.1]	15" [38.1]	15" [38.1]
M	17.2" [43.7]	17.2" [43.7]	21.2" [53.8]
N	1.5" [3.8]	1.5" [3.8]	1.5" [3.8]
P	29.4" [74.8]	27.4" [69.6]	18.4" [46.8]
Q	14.4" [36.7]	14.2" [36.0]	17.7" [44.9]
R	39.2" [99.5]	39.2" [99.5]	47.2" [119.8]
S (REF)	Ø4.6" [Ø11.6]	Ø4.6" [Ø11.6]	Ø6.7" [Ø17.0]
T (REF)	Ø10.0" [Ø25.4]	Ø11.5" [Ø29.2]	Ø13.7" [Ø34.9]



FOR BENCHMARK/BENCHMARK PLATINUM UNITS
1500/2000/2500/3000

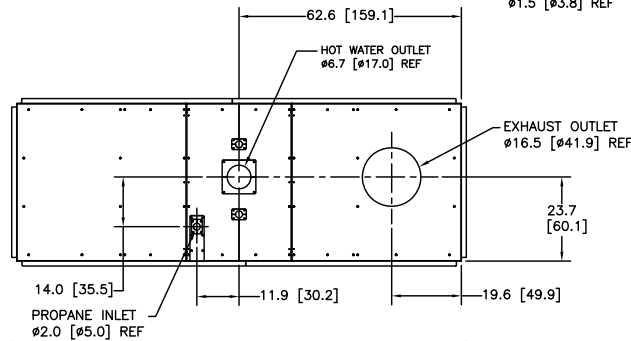


FOR BENCHMARK/BENCHMARK PLATINUM UNITS
4000/5000N

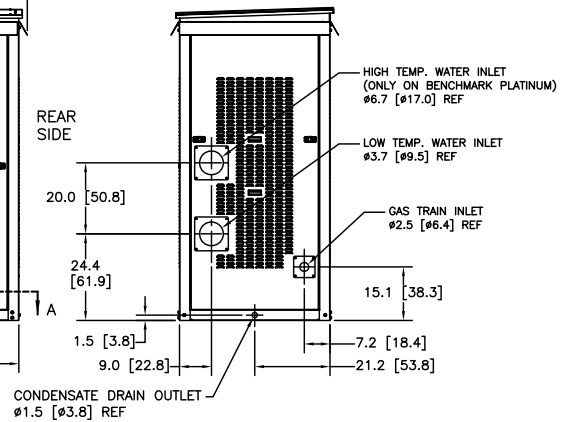
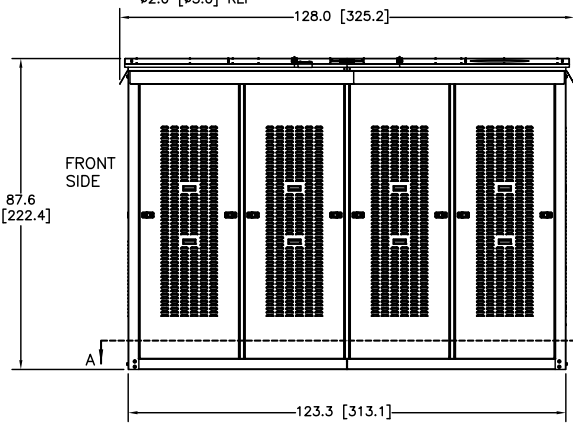
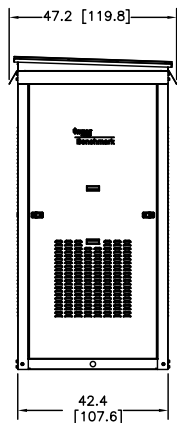


Dimensions BMK 5000/6000

Inches (cm)



Note: Please see dimensional drawings AP-A-1074, 1075 and 1076 for more detailed dimensional information.



Benchmark Models

Size	750/1000	1500/2000	2500/3000	4000/5000N	5000/6000
Shipping Weight Lbs.	550	550	550	575	625
Enclosure Weight Lbs.	320	320	320	345	329



Heating and Hot Water Solutions

AERCO International, Inc. • 100 Oritani Drive • Blauvelt, NY 10913

USA: T: (845) 580-8000 • Toll Free: (800) 526-0288 • AERCO.com

© 2023 AERCO